

(60/100/150)一般压力表系列

General service pressure gauge

P-060

P-100

P-150

外径 Diameter :

60

100

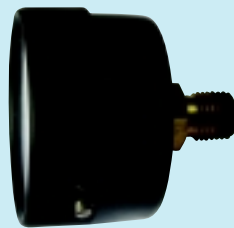
150



径向后带边安装
Bottom mounting
with back flange



径向直接安装
Bottom mounting



轴向直接安装
Back mounting



径向前带边安装
Bottom mounting
with front flange



轴向前边嵌装
Bottom panel
mounting with
front flange

产品简介

P 系列一般压力表适用于测量无爆炸，不结晶、不凝固及对铜合金不起腐蚀作用的液体或气体等介质的压力。仪表的测量系统由接头、弹簧管和传动机构组成。通过指针指示仪表读数。

外径 60、100、150 一般压力表有径向直接安装、径向后带边凸装、径向前带边嵌装、轴向直接安装、轴向前边嵌装等多种安装型号可供选择。

PRODUCT OVERVIEW

P series General Service Pressure Gauge suitable for the non-explosion, non-crystal, non-solid and non-corrosion to the copper alloy. The pressure system consists of socket, bourdon tube and transfer mechanism and show the value through the pointer.

The pressure gauge of 60, 100, and 150mm has many ways to mount: bottom mounting, bottom mounting with back flange, bottom panel mounting with front flange, back mounting, back panel mounting with front flange and so on.

主要技术参数

精度等级：60、2.5%，100、150、1.5%

测量范围：负压 -0.1-0；-0.1-0.06 至 -0.1-2.4MPa

正压 60 0-0.1 至 0-25MPa

100、150 0-0.1 至 0-60MPa

工作压力：静负荷用至测量上限值的 3/4，交变负荷用至测量上限的 2/3，短时压力用至测量上限值。

正常工作环境温度：-40 ~ 70

(相对湿度不大于 85%)

温度影响：使用温度偏离 20 ± 5 时，其误差变化不大于 0.6%/10

波登管 / 接头：磷青铜波登管与黄铜接头锡焊接。
(100、150) 4MPa 以上量程 4% 银焊接，高温型，不锈钢波登管 40% 银焊接可选。

仪表机芯：铜合金正装结构，60“C20”型为反装型

仪表外壳：ST13 喷黑塑

表盘：白色铝制，黑色刻线

指针：铝制，黑色

表玻璃：普通玻璃

连接螺纹：60 M14 × 1.5; 100/150 M20 × 1.5

其他标准可选

Specifications

Accuracy: 60、2.5%，100、150、1.5%

Range: Negative pressure 0.1-0；-0.1-0.06 to

-0.1-2.4MPa positive pressure 60 0-0.1 to

0-25MPa 100、150 0-0.1 to 0-60MPa

Working pressure: Steady: 3/4 of full scale value;

Fluctuating: 3/2 of full scale value;

Short time: full scale value.

Ambient temperature: -40 ~ 70

(Relative humidity 85%)

Temperature impact: The temperature change is not more than 0.6%/10 when the temperature deviates from 20 ± 5 .

Bourdon tube/socket: Soft soldering for phosphor bronze bourdon tube and brass socket. 100, 150 4% Silver soldering over 4Mpa, high temperature type, 40% Silver soldering available for Stainless Steel Bourdon tube.

Internals: Copper alloy, right-handed machine 60“C20”

Case: ST13 black plastic plated

Dial: white, aluminium with black calibration line.

Pointer: Aluminium, black.

Window: common glass

Connection: 60 M14 × 1.5; 100/150 M20 × 1.5

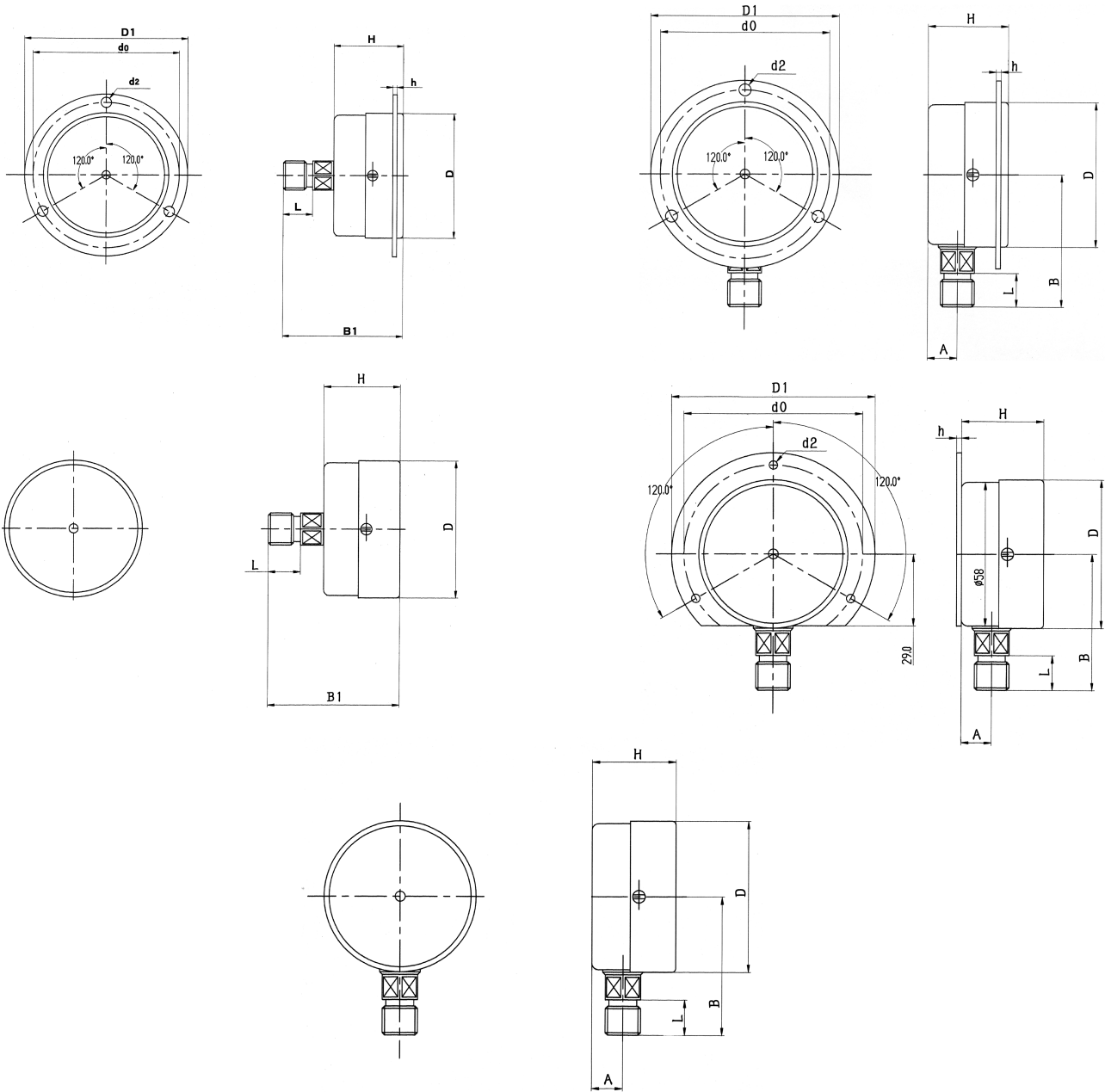
Other standard available.

量程 RANGES

量程范围规格代码表 TABLE OF RANGES

选型代码 code	量程规格 ranges	选型代码 code	量程规格 ranges	选型代码 code	量程规格 ranges
M500	-0.1-0MPa	M040	0.16 MPa	M200	6 MPa
M510	-0.1-0.06 MPa	M060	0.25 MPa	M220	10 MPa
M520	-0.1-0.15 MPa	M080	0.4 MPa	M230	16 MPa
M 530	-0.1-0.3 MPa	M100	0.6 MPa	M240	25 MPa
M540	-0.1-0.5 MPa	M120	1 MPa	M270	40 MPa
M550	-0.1-0.9 MPa	M140	1.6 MPa	M280	60 MPa
M560	-0.1-1.5 MPa	M160	2.5 MPa		
M030	0.1 MPa	M180	4 MPa		
M570	-0.1-2.4MPa				

(60) 几何尺寸 Dimensions

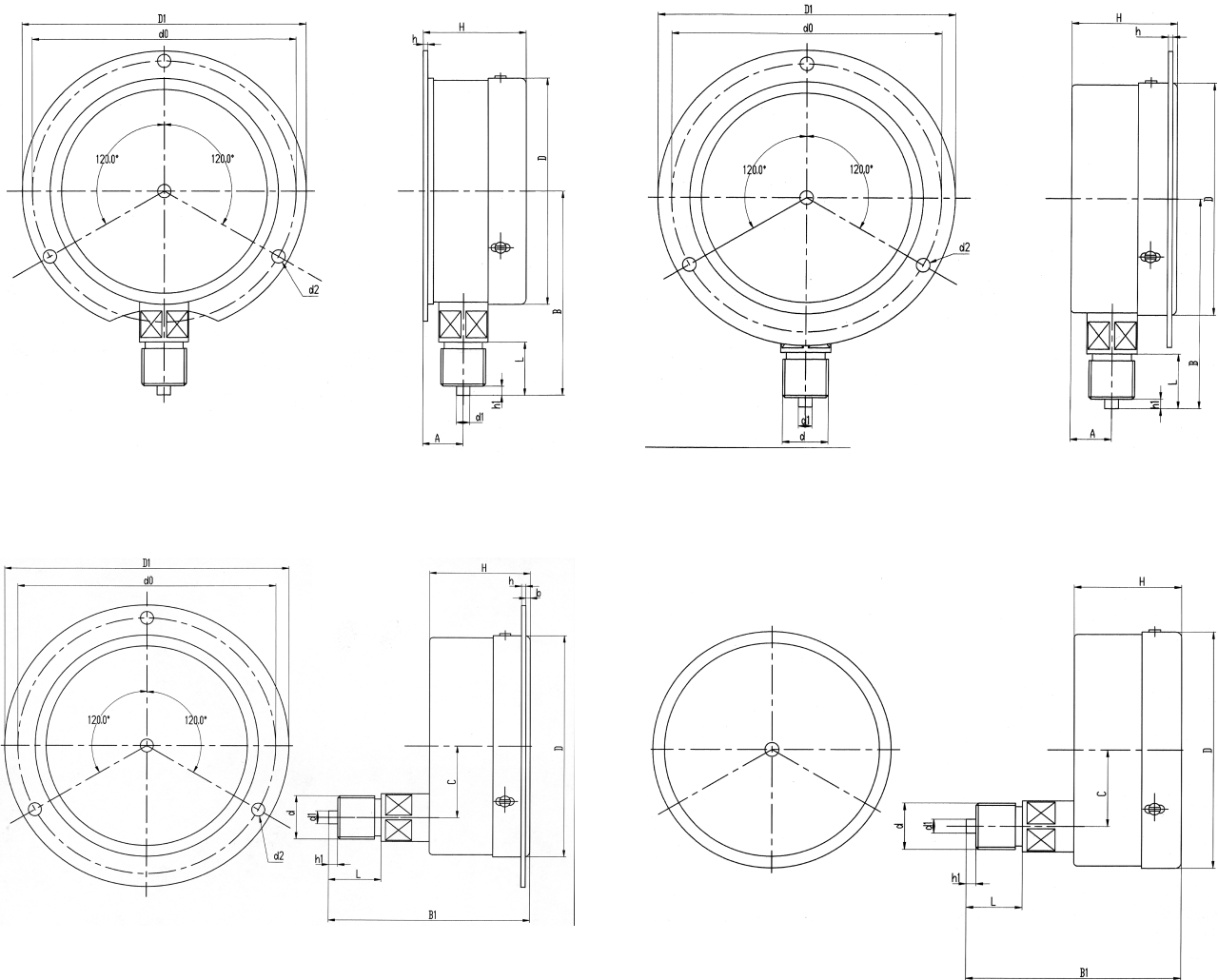


单位 Unit: mm

可选择型号 Type code	D	D1	d0	A	B1	B	H	h	L	d2	b
P-060. AO. 200 (P-60)	60			12.5		55	33		14		
P-060. AT. 200 (P-60TQ)	60	78	70	12.3		55	33	2	14	3- 5	
P-060. AH. 200 (P-60T)	60	82	72	12.3		55	33	2	14	3- 3.4	
P-060. ZO. 200 (P-60Z)	60				57.5		33		14		
P-060. ZT. 200 (P-60ZT)	60	78	70		57.5		33		14	3- 3	
P-060. AO. C20 (P-60C)	58.5					53	30		14		
P-060. ZO. C20 (P-60ZC)	58.5				54.5		30		14		
P-060. ZT. C20 (P-60ZTC)	58.5	85	75		54.5		30	1.5	14	3- 3.6	

100、150 几何尺寸图

Dimensions



单位 Unit (mm)

可选择型号 Type code	D	D1	d0	A	B1	B	H	h	L	d2	d1	h1	c
P-100. AO. 200 (P-100)	102			18		92	46.5		20		6	4	
P100. AT. 200 (P-100TQ)	102	130	118	18		92	46.5	2	20	3- 6	6	4	
P-100. AH. 200 (P-100T)	102	127	118	18		92	46.5	2	20	3- 6	6	4	
P-100. BO. 200 (P-100Z)	102				92		46.5		20		6	4	33
P-100. BT. 200 (P-100ZT)	102	130	118		92		46.5	2	20	3- 6	6	4	33
P-150. AO. 200 (P-150)	150			17.5		120	47		20		6	4	
P-150. AT. 200 (P-150TQ)	150	180	165	17.5		120	47		20		6	4	
P-150. AH. 200 (P-150T)	150	180	165	21		120	50.5	5	20	3- 6	6	4	
P-150. BO. 200 (P-150Z)	150				95		47		20		6	4	53
P-150. BT. 200 (P150ZT)	150	180	165		95		47	2	20	3- 6	6	4	53

如何选型 HOW TO ORDER

	型号代码 CODE	特性说明 CHARACTERISTICS						
Basic type 基本型号	P	一般压力表系列 General service pressure gaug						
Diameter 外径	060	60						
	100	100						
	150	150						
Mounting 安装方式	AO	径向直接安装 Bottom mounting						
	AT	径向前边 Bottom mounting with front flange						
	AH	径向后边 Bottom mounting with back flange						
	ZO	中轴向直接安装 Back mounting						
	ZT	中轴向前边 Back mounting with front flange						
	BO	下轴向直接安装 Lower back mounting						
	BT	下轴向前边 Lower back mounting with front flange						
Design 设计代码	200	铁外壳 / 螺钉上紧 Iron case/ Fixed with screw						
	C20	(改型结构) 铁外壳 / 螺钉上紧						
Ranges 量程	M120	0.06MPa 请参看量程代码表 Other special screw threads						
Connection 连接螺纹	M10	M10 × 1						
	M14	M14 × 1.5						
	M20	M20 × 1.5						
	TOO	其它特殊要求的螺纹 Other requests						
Options 备选项	BDA	1 级精度 Accuracy: 1%						
	BEA	1.5 级精度 Accuracy: 1.5%						
	GHB	40% 不锈钢管银焊接 40% Silver soldering for Stainless Steel tube						
	TPB	非标准的度盘 Special dial						