

PT10SR-2120 Pressure Transmitter

Features

- Full temperature compensation
- Compact size, nice shape
- Various media measurement
- Impact and shock resistance, equipment matching
- Automatic production line to ensure quality stable and reliable
- Cost efficient, customized OEM available



Application

- Pump and compressor
- Refrigerating system
- Automatic testing system
- Equipment matching
- Pneumatic system

Introduction

PT10SR-2120 pressure transmitter is OEM customized product with excellent performance and quality. It is manufactured on fully automatic production line to make sure product stable and reliable. We can also provide optional output signals and pressure ports for different complex applications, to satisfy customer's requirements with the product good adaptability.

Specification

Item	Type B		Type C
Pressure Range	0kPa~200kPa...3.5MPa	0kPa~200kPa...20MPa	0kPa~200kPa...20MPa
Power Supply	4.5V~5.5V DC	8V~28V DC	8V~28VDC
Output Signal	0.5V~4.5V DC (3-wire)	4mA~20mA DC (2-wire) 1V~5V DC (3-wire)	4mA~20mADC (2-wire) 1V~5VDC(3-wire)
Operation Temp.	-40℃~125℃	-40℃~125℃	-20℃~85℃
Accuracy Class	1.0 ^①		
Zero Temp. Error	< ±0.02%FS/℃ (@25℃)		
Span Temp. Error	< ±0.02%FS/℃ (@25℃)		
Storage Temp.	-40℃ ~ 125℃ ^②		
Stability	≤±0.5%FS ^③		
Overpressure	1.5×FS		
Relative Humidity	0%~90%		
Shock	10g, 55Hz~2000Hz		
Vibration	100g, 11ms		
Insulation Resistance	>10MΩ, 500VDC		

Protection	IP65
Media Compatibility	Al ₂ O ₃ fluorosilicone rubber, 1Cr18Ni9Ti stainless steel

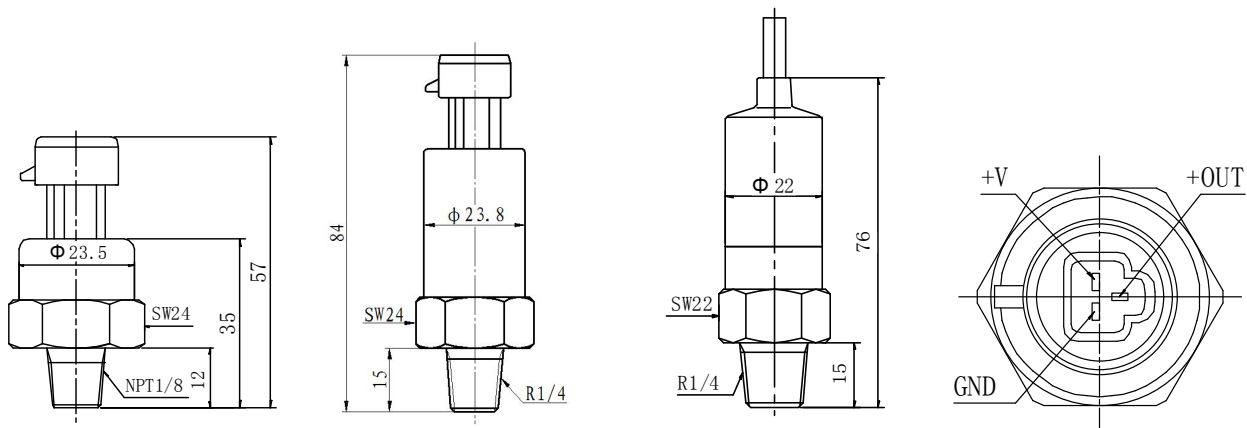
- ① Accuracy class of the pressure transmitter conforms to the standard of JJG 882-2004 Pressure Transmitter Calibration and Inspection Regulation;
- ② Cable operation temperature is -20°C ~ 70°C;
- ③ It is not accumulated within one year.

Electric Connection

Wire Color	2-wire	3-wire
Black	+V	+V
Red	0V/+OUT	GND
White	Null	+OUT

Outline Construction

Unit:mm



Type: B(Supply:4.5V~5.5V DC)

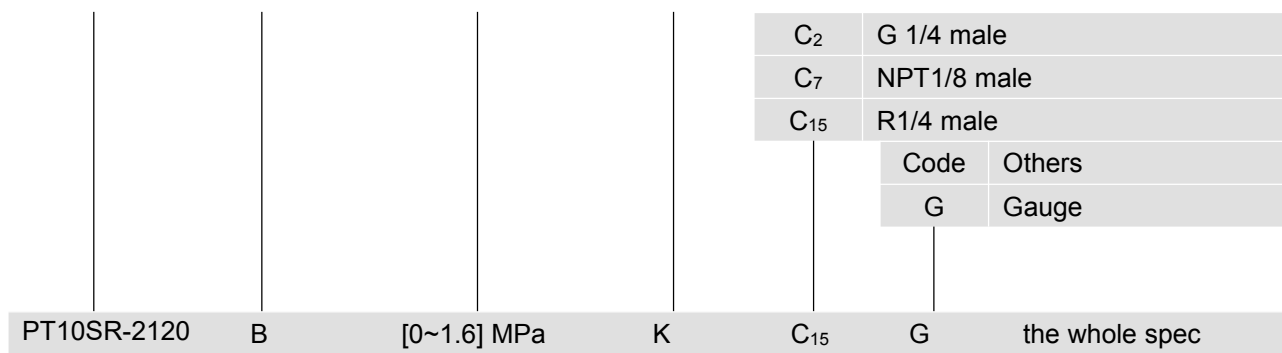
Type: B(Supply:8V~28V DC)

Type: C

plug connection version

Order Guide

PT10SR-2120	Pressure Transmitter	
	Code	Outline Construction
	B	Packard plug connection
	C	Cable connection, cable length 1.5m
	Range	Pressure range: 0kPa~200kPa...20MPa
	[0~X] kPa or MPa	X=the actual pressure range
	Code	Output signal
	E	4mA~20mA DC
	F	1V~5V DC
	K	0.5V~4.5V DC
	Code	Pressure Port



Order Note

1. Please note that the media should be compatible with the contacting material of transmitter;
2. If you choose the straight thread connection, please note that it is unnecessary to wrap the seal tape to assist in sealing with the O-ring at the end of pressure port;
3. If you choose the plug connection, please pay attention to the plug inserting direction;
4. Please note it in the order if you need customized pressure port;
5. If the user has special requirements for transmitter specification or function, please feel free to contact us.