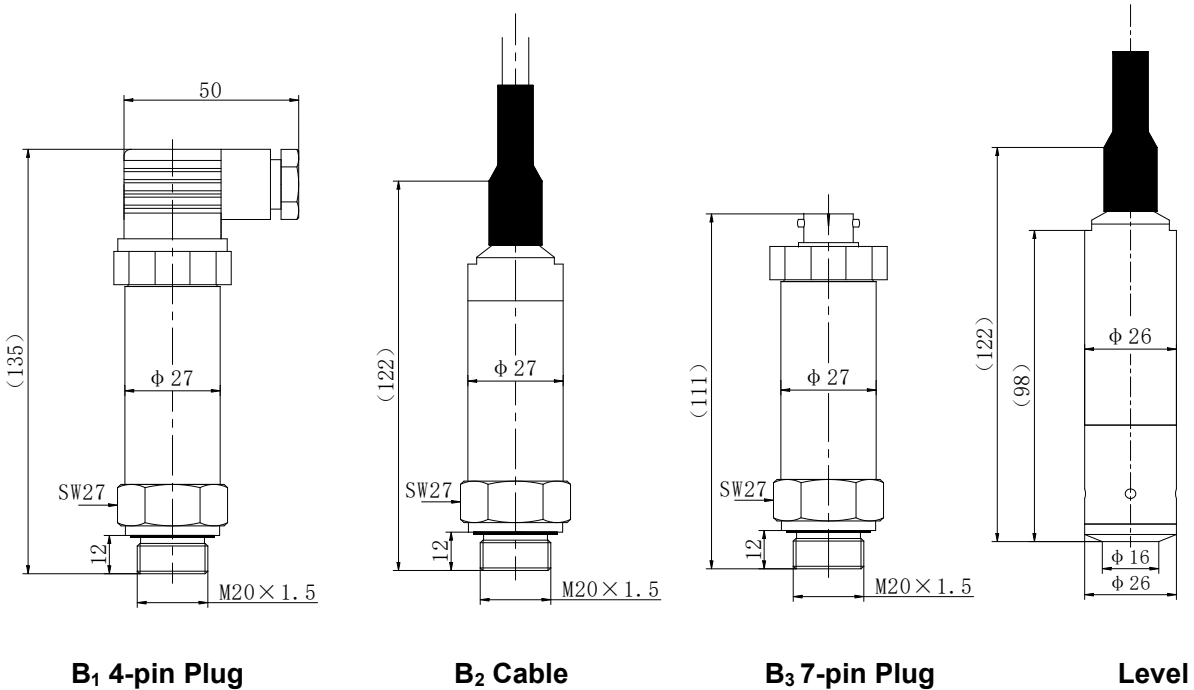


Outline Construction

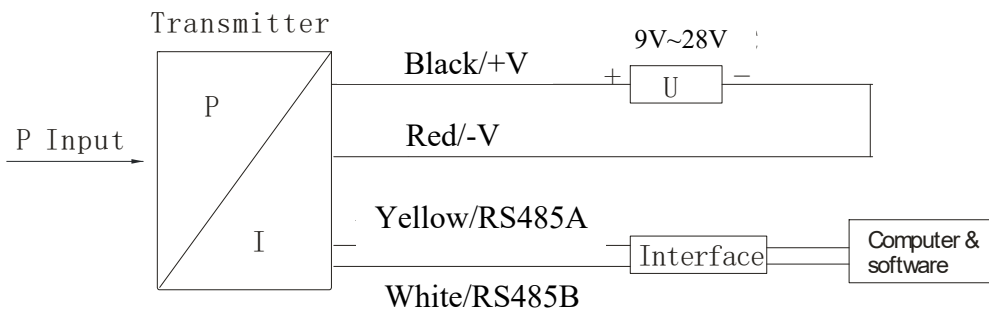


Communication connection

Transmitter connecting the outside by plug or cable:

Function	Inner Plug Pin	Outer Electric Connection		
		4 Plug Pin	Wire Color	7 Pin Plug
+V	1 (Black)	1	Black	1
-V	2 (Red)	2	Red	2
RS485B	4 (White)	⏏	White	5
RS485A	5 (Yellow)	3	Yellow	4

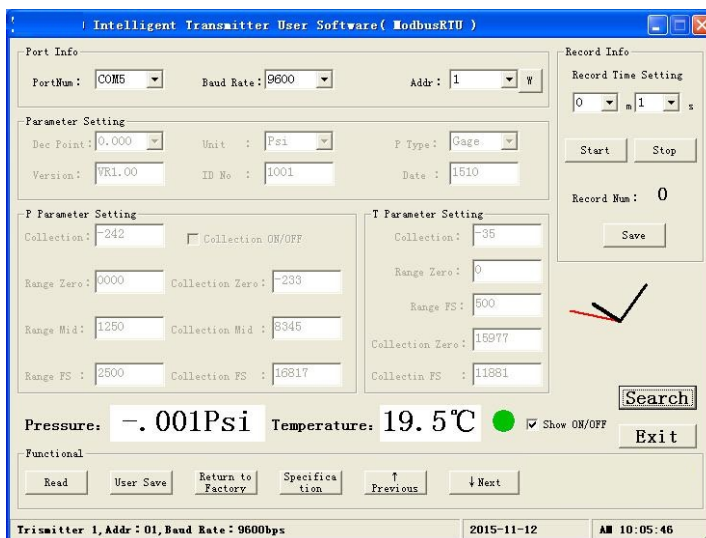
Electric connection for transmitter with RS485 interface(MODBUS Protocol):



Assistant Software

PT10SR-2200 Transmitter Software

RS232/485 Conversion module is used to communicate with RS485 interface transmitter, available for real time pressure/temperature display and calibration on site. Some parameters calibration was done before being transported at factory, so users do not have to modify them. When mistaken operations happen, users can push “Back to Factory Setting” to turn it to



factory setting. Besides, the software keeps Data Record section, which allow users to set the record interval freely for recording and saving data, and the data can be saved in the forms of “*.Excel”. **Note:** PT10SR-4780 Transmitter Software.

Order Guide

PT10SR-2200	Intelligent Pressure Transmitter				
	Range	Measure range: -100kPa...0kpa~10kPa...100MPa			
	[0~X]kPa or MPa	X=actual measure range			
	Code	Output Signal			
	R ₈	RS485 interface, MODBUS communication protocol			
	Code	Construction Material			
		Diaphragm	Pressure Port	Housing	
	22	S.S.316L	S.S.	S.S.	
	24	S.S.316L	S.S.316L	S.S.316L	
		Code	Others		
	B ₁	4-pin Hirschmann plug connection			
	B ₂	Cable connection, default cable			
	B ₃	7-pin plug connection			
	C ₁	M20×1.5 male, face type seal			
	C ₃	G1/2 male			
	C ₄	G1/4 female			
	C ₅	M20×1.5 male, waterline seal			
	Yc	MS200 water-proof connection box			
	Yd	PD140 lightning-proof protection			
	G	Gauge			
	S	Sealed Gauge			
	A	Absolute			
PT10SR-2200	[0~100]kPa	R ₈	22	B ₁ C ₁ YdG	The Whole Spec.

PT10SR-2200W	Intelligent Level Transmitter					
	Range	Measure Range 0m~3.5m...200m H ₂ O				
	[0~ XmH ₂ O]L	X=actual range, L= cable length, suggested L-X= (1~2) m				
	Code	Output Signal				
	R ₈	RS485 Communication Interface, MODBUS protocol				
	Code	Construction Material				
		Diaphragm	Pressure Port	Housing		
	22	S.S.316L	S.S.	S.S.		
	24	S.S.316L	S.S.316L	S.S.316L		
	Code	Others				
	C ₁	M20×1.5 male, end face seal				
	C ₅	M20×1.5 male, waterline seal				
	Y _c	MS200 water-proof connection box				
	Y _d	PD140 lightning-proof protection				
	F ₁	Fixed Flange				
PT10SR2200W	[0~10mH ₂ O]	12	R ₈	22	Y _c	The Whole Spec.

Notes

1. Please note transmitter type (Pressure/level) in the order;
2. There is no temperature measurement function for typical transmitter, if temperature measurement is needed, please note in order;
3. Please note in the order if the user needs zero pressure as negative pressure;
4. Please note the type of junction box if wiring box needed; If the user has no special requirement for cable, we provide default PVC cable;
5. If the user has special requirement, please feel free to contact our company.